

Washing Machine Controller

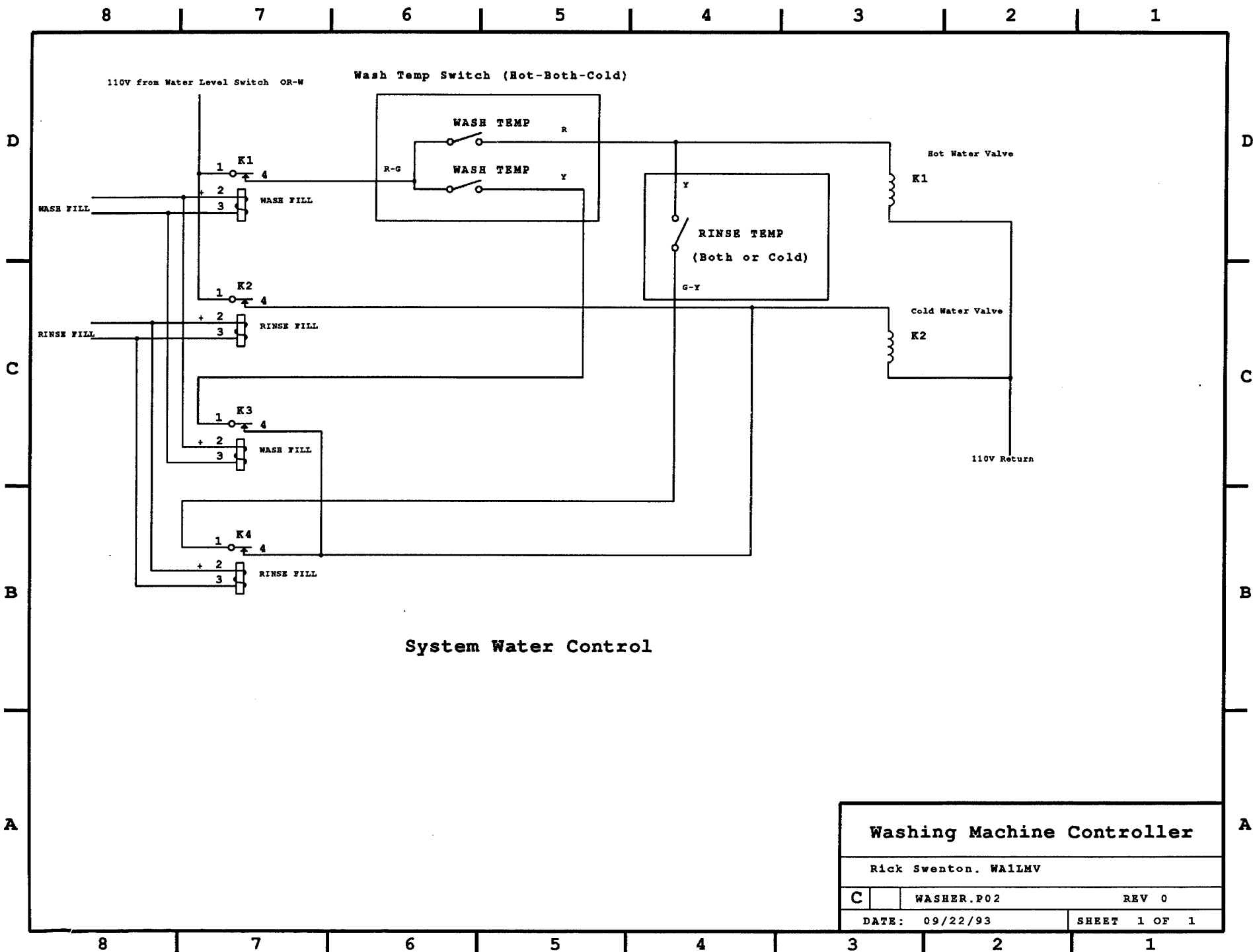
Rick Swenton, WALLMV

WASHER.P01

REV 0

DATE: 09/14/1993

SHEET 1 OF 1



Washing Machine Controller

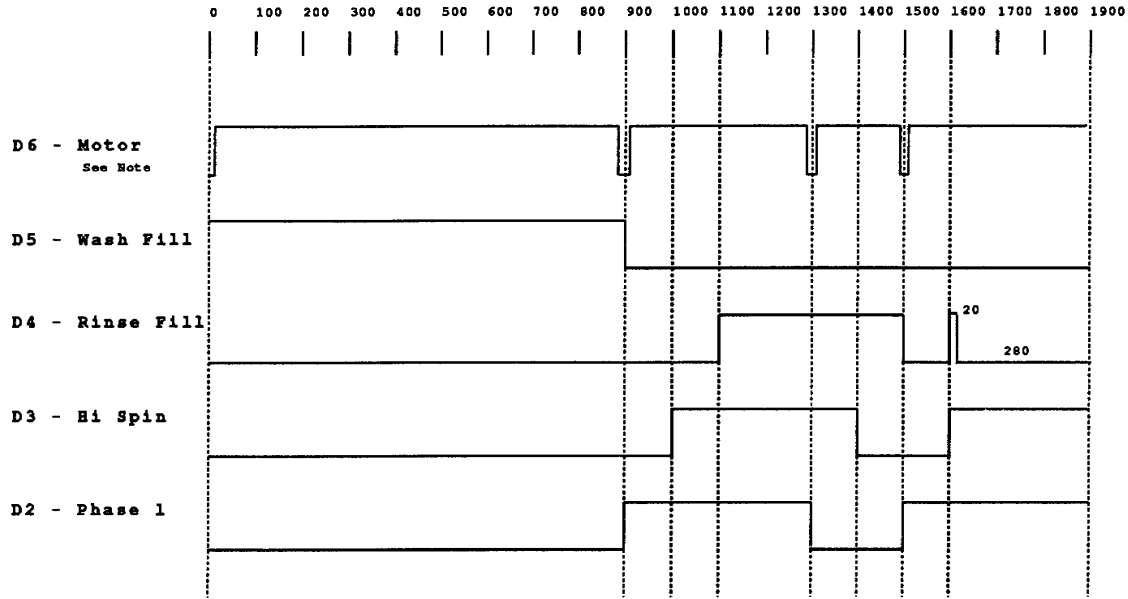
Rick Swenton. WALLMV

C	WASHER.P02	REV 0
DATE:	09/22/93	SHEET 1 OF 1

8 | 7 | 6 | 5 | 4 | 3 | 2 | 1

Timing Diagram

Cycle Time in Seconds



Note: The off times for this signal are only three seconds long. It is shown longer for emphasis. The purpose of this signal is to pause the motor during direction changes.

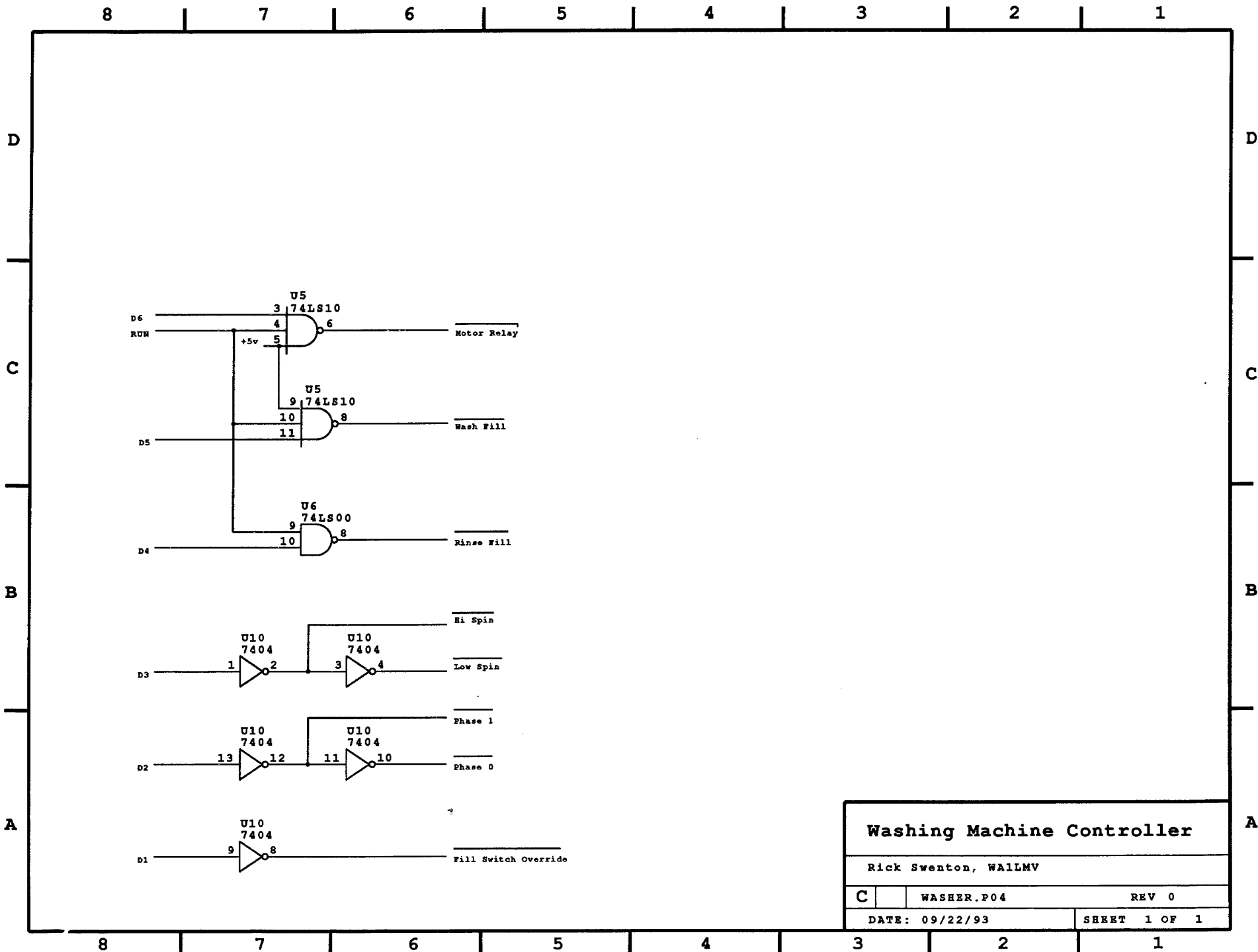
Washing Machine Controller

Rick Swenton, WALLMV

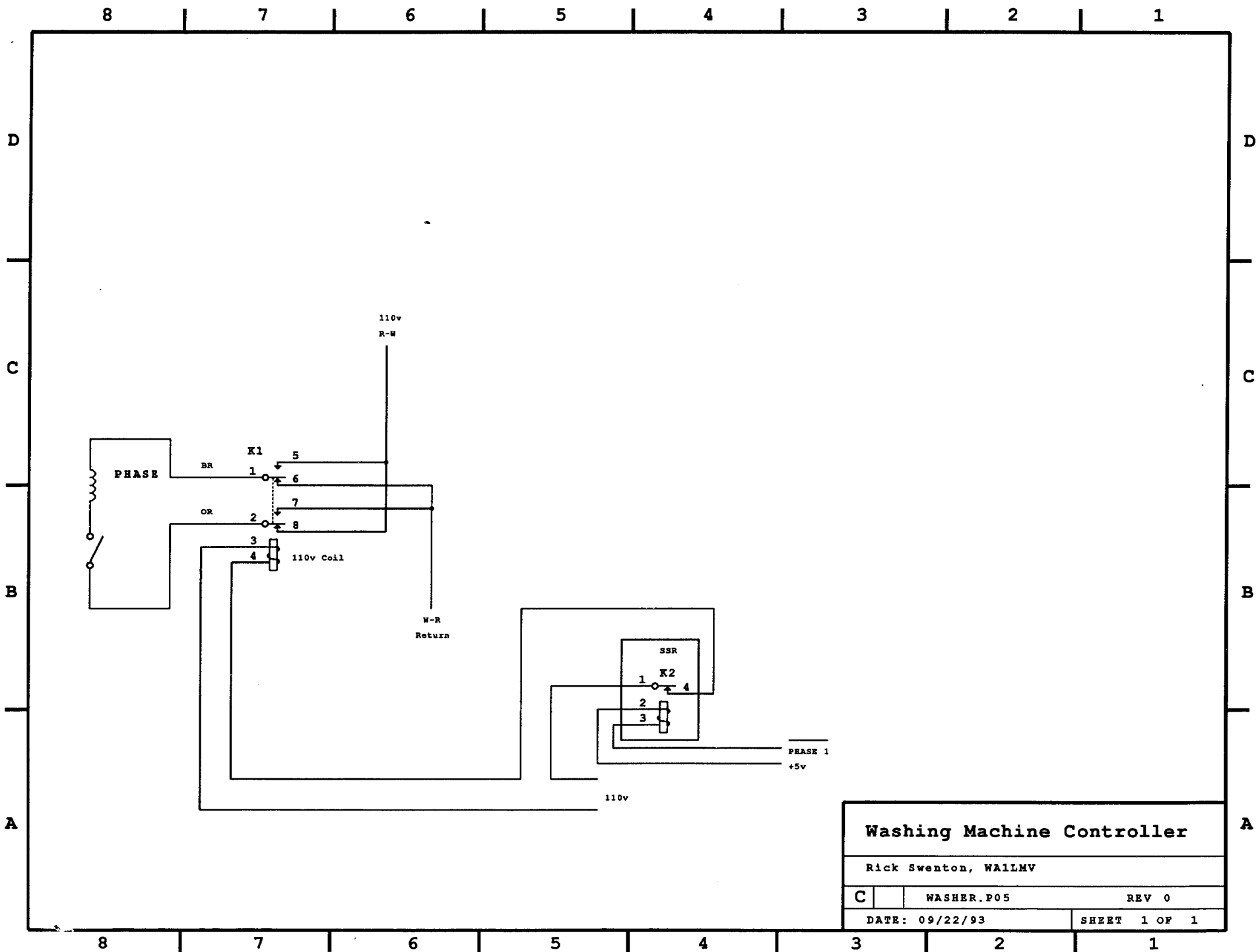
C WASHER.P03 REV 0

DATE: 09/22/93 SHEET 1 OF 1

8 | 7 | 6 | 5 | 4 | 3 | 2 | 1



Washing Machine Controller		
Rick Swenton, WALLMV		
C	WASHER.P04	REV 0
DATE: 09/22/93		SHEET 1 OF 1



Washing Machine Controller

Rick Swenton, WALLMV

C	WASHER.P05	REV 0
DATE: 09/22/93		SHEET 1 OF 1